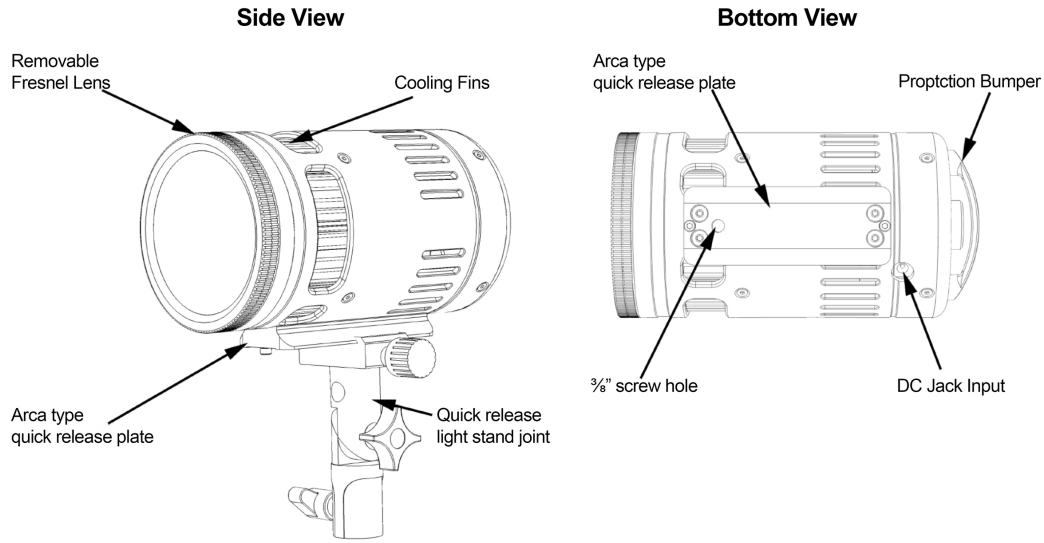


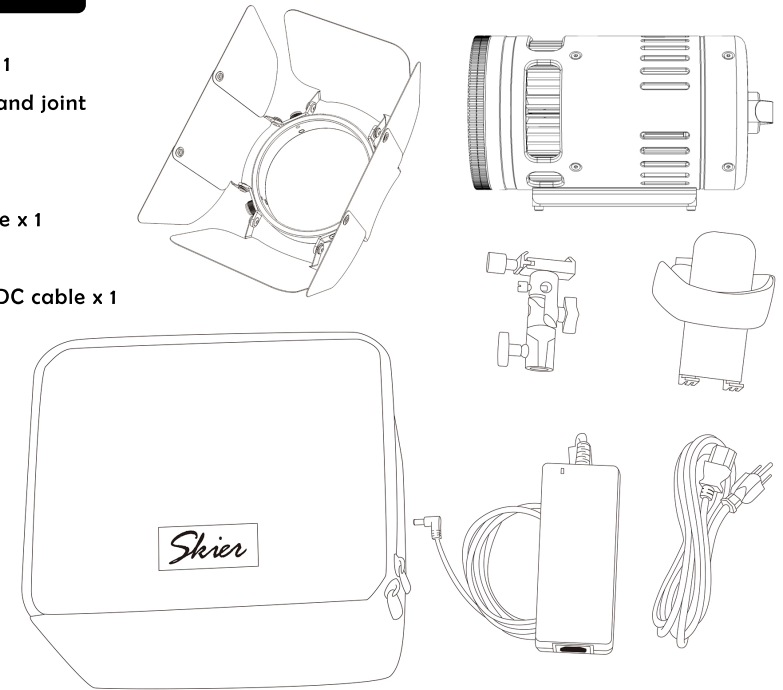
Skier Sunray 160 Spot V3 User Manual



Model	Sunray 160 Spot V3
LED Power (W)	160W
Lumen (lm)	15360lm
Frequency (Hz)	20 kHz
EV/1M	30448 lux / 15.5 EV f22+2/3, 1/60s, ISO100
CRI	97
TLCI	96
Color Temperature (K)	5500 ± 2%
Dimmer	1 ~ 100%
Mount	Mini S (98mm) Compatible with Bowens Modifiers (Optional Bowens adapter ring)
Fuse	Built-in PPTC
Adapter	INPUT : 100~240V AC, 50/60 Hz, 2.0A INPUT : 48V, 3.34A, 160W MAX
Working temperature	-10° C ~ 60° C

Package Contents

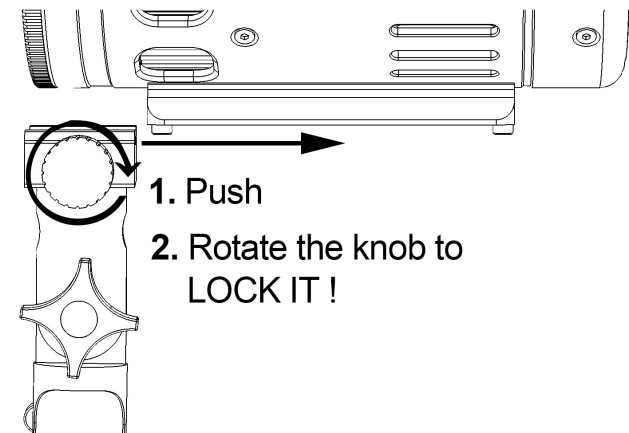
- Sunray 160 Spot V3 x 1
- Quick release light stand joint
- Barn door x 1
- Power cable (3m) x 1
- Power adapter buckle x 1
- Carry bag x 1
- Power adapter with DC cable x 1



Instructions

1. Install the joint

- $\frac{3}{8}$ " screw holes at the bottom to help you mount on tripod.
- Quick release plate compatible with most Arca type system.
- Please install the quick release light stand joint before you mount on stand.
- Please shake light stand joint to ensure stability after install and prevent the LED from falling.



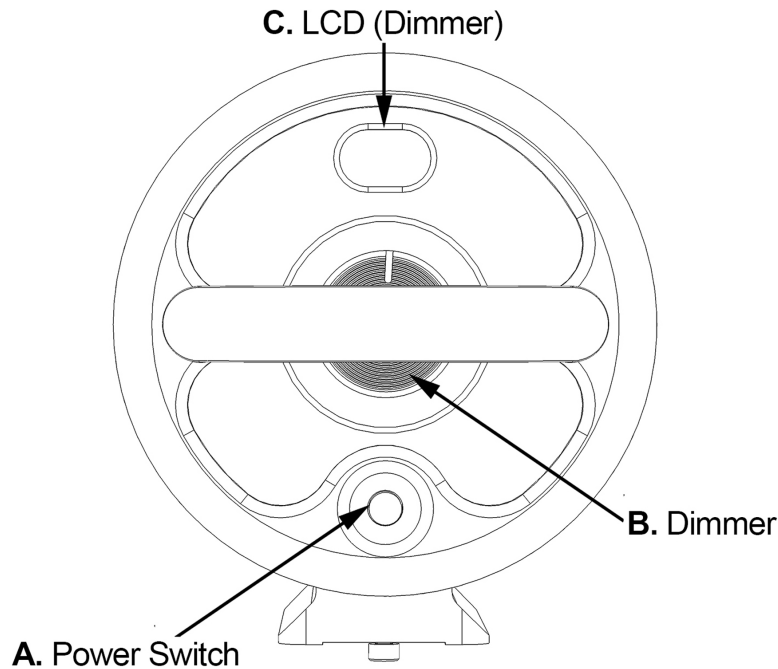
1. Push
2. Rotate the knob to LOCK IT!

2. Connect to the power adapter

The LED can connect to the power adapter or power bank (optional) by dedicated DC cable.
Please turn off the power before connect or remove the cable.

Please make sure the DC cable connector is completely connected , prevent the connector from loosing.

Please install the power adapter on light stand by delicated buckle.



3. Panel Function Instructions

A. Power Switch

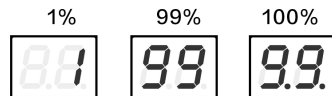
Mechanical power switch.(Please connect the power cable before turn on the power.)

B. Dimmer

Adjust the brightness , 0~100%

C. LCD (Dimmer)

Brightness display with % , the degree is 1% as below :



Notice

Working Environment

Do NOT using at dangerous enviroment for electronic device
Do NOT using at overheated (>60°C) and undercooling (<-10°C) enviroment
Please using with stable and consistent power supply (100~240V AC, 50/60 Hz)
Do NOT using at enviroment with too much moisture , oil and dust.
Do NOT cover the cooling fin of led and adapter , or using in sealed container.

Operation

The temperature of cooling fin could reach to 60 degree , it's better operating with a glove.
Do NOT remove the power supply cable when led power ON.
Do NOT use the battery or power bank which are not provided from Skier to avoid any damage.
Do NOT pull the power supply or control cable.
The Sunray 160 Spot V3 with high temperature that may cause the near object burn, select heat-resistant light modifiers for safety.

Transportation and Storage

Do not remove the fresnel lens when transport or storage to prevent the COB from any damages
Please remove all the cables before storage.
Do NOT fall or shake or smash the led and adapter.

Maintance and Clean

Do NOT use detergent to clean the led and other accessories.
Avoid moisture infiltrate into led and keep the led dry.
Please store the led and accessories in dark and dry enviroment.

Troubleshooting

The LED can't switch on :

Check the indicator light on adapter . If it's not showing, please check the electrical outlets is normal or not.
If the electrical outlets is normal but the adapter is not showing (or flickering), please contact us.
Sunray 160 Spot V3 built-in PPTC function, it will shut down the power when overload , replug the plug and turn on the power then it will back to normal status.
If the fuse has blown out very often , please check the stability of power supply and contact us.
If there has other situation , please contact us.

Auto temperature control fan fault :

It's normal if the fan noise occurs at the first 10 seconds after power on.
The fan will adjust the rotating speed according to temperature
If the fan not working after power on , please turn off the power to avoid any damages.
If there has some noise from the fan , please check if anything stuck inside
If LCD showed fault display , please note the content and contact us.

Error codes on LCD display



Abnormal temperature:
Temperature detection does not work



Abnormal Fan:
Fan or rotate speed control malfunctioning.



Overheat Protection:
The LED active the overheat protection , it will auto adjust the brightness to 5%.